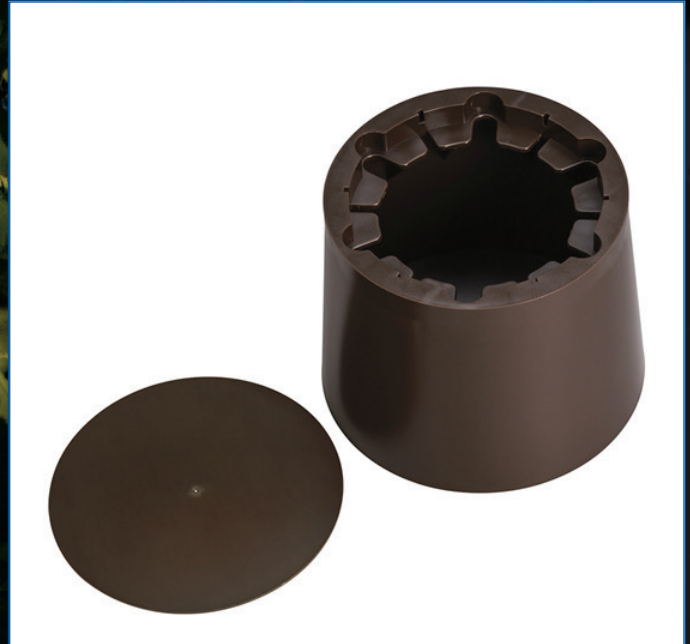
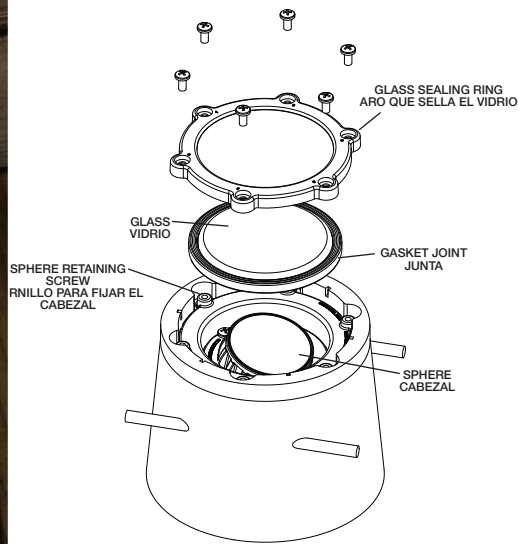
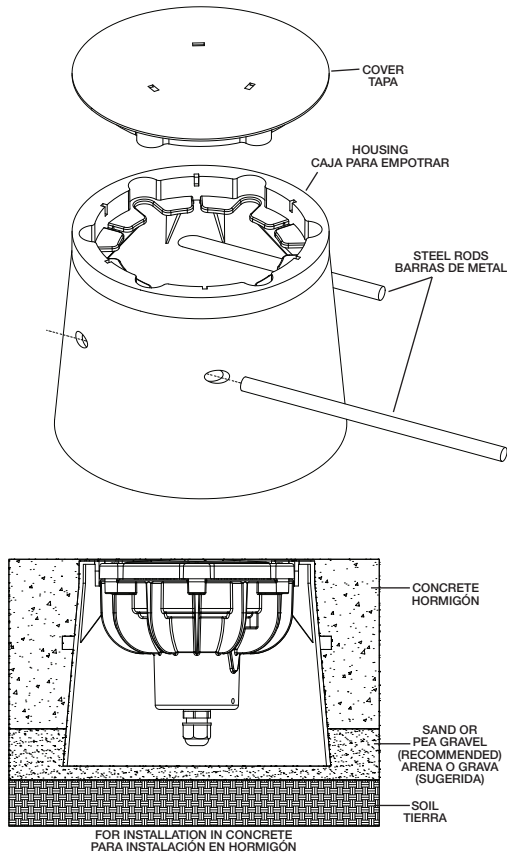


CONCRETE INSTALLATION KIT WT6030/33/36



WT6501

This fixture is intended for installation in accordance with the National Electric Code (NEC) and Local code specifications. Failure to adhere to these codes and instructions may result in serious injury and/or property damage and will void the warranty.

WARNING – RISK OF ELECTRIC SHOCK

- Do not mount luminaire within 10 feet (3m) of a swimming pool, spa or fountain.
- This fixture is to be used only with a Kichler® low voltage lighting power unit (transformer) rated a maximum 15 volts, 300 W per secondary (25 AMPS)

NOTE: Kit with In-Ground LED Fixture walk-over and drive-over rated for a 4500lb car or truck.

NOTE: If additional Direct Burial wire is needed, contact your local Kichler® landscape distributor.

- 8 GA wire can be purchased in length of 250' (76 M), 15503-BK.
- 10 GA wire can be purchased in length of 250' (76 M), 15504-BK.
- 12 GA wire can be purchased in lengths of 100' (30 M), 15501-BK; 250' (76 M), 15502-BK; 500' (152M), 15505-BK; and 1000' (304 M), 15506-BK.

POUR KIT INSTALLATION

1. **TURN OFF POWER**
2. Insert the steel rods into the through holes of the housing. The rods should protrude equally on the kit through both sides.
3. Determine desired location of kit and dig hole. Hole should be 9" (diameter) with a depth appropriate for top of kit (including cover) to be flush with finished grade. It is recommended that sand or pea gravel is used to set housing and aid positioning. Leave approximately 6" of loose lead wire from transformer inside housing.
4. Secure the cover onto the housing and pour a minimum 4" of concrete, ensuring grade is flush with kit. Let cure. Do not remove cover until just before installing the fixture to prevent sediment from collecting.

LandLight
Enhance The Night

Enhance The Night - www.landlight.ca