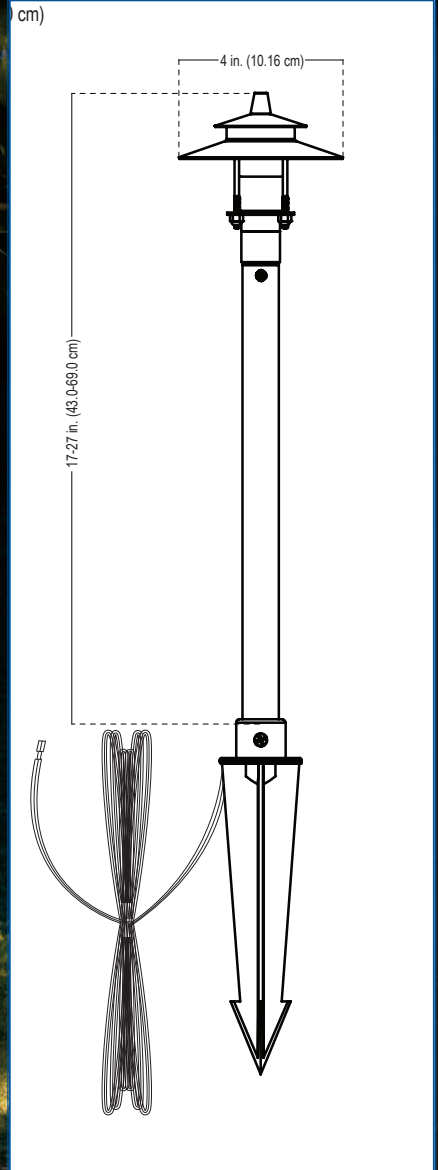


BRASS ADJUSTABLE PATH LIGHT

LandLight
Enhance The Night



WTPL250



Specifications and Features:

Stem: Adjustable brass stem, 17"-27" length, aged brass finish

Hat: Solid brass area light hat

Socket: Spring loaded ceramic bi-pin socket with dual contact

Lens: Clear glass lens

Wire: 25' Foot wire lead, 16 awg (UL listed), brown, Pre-connected to the fixture, Pre-stripped for easy wire connection

Stake: Solid brass stake, attached to the fixture with a set screw (8.5 in; 21.6 cm length)

Warranty: Lifetime warranty on fixture housing

Certifications: Complies with the requirements of UL-1838 and CAN/CSA-C22.2 No. 250.7. Identified with the ETL and cETL Listed Mark.



**EASILY CONVERTED
TO LED WITH THE
APPROPRIATE BULB**

Enhance The Night - www.landlight.ca